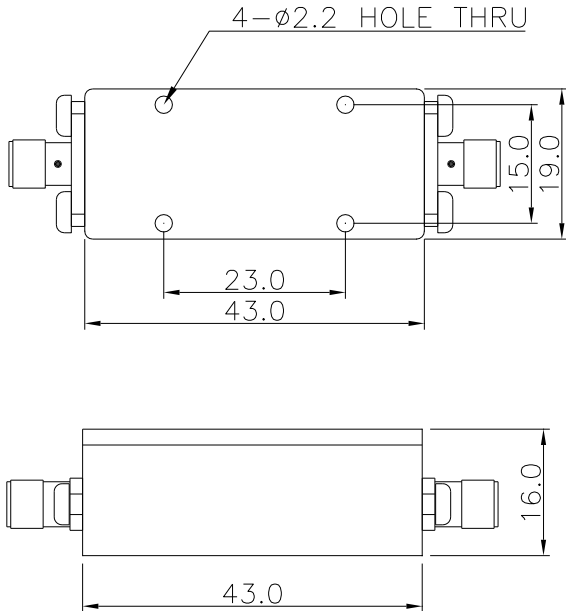


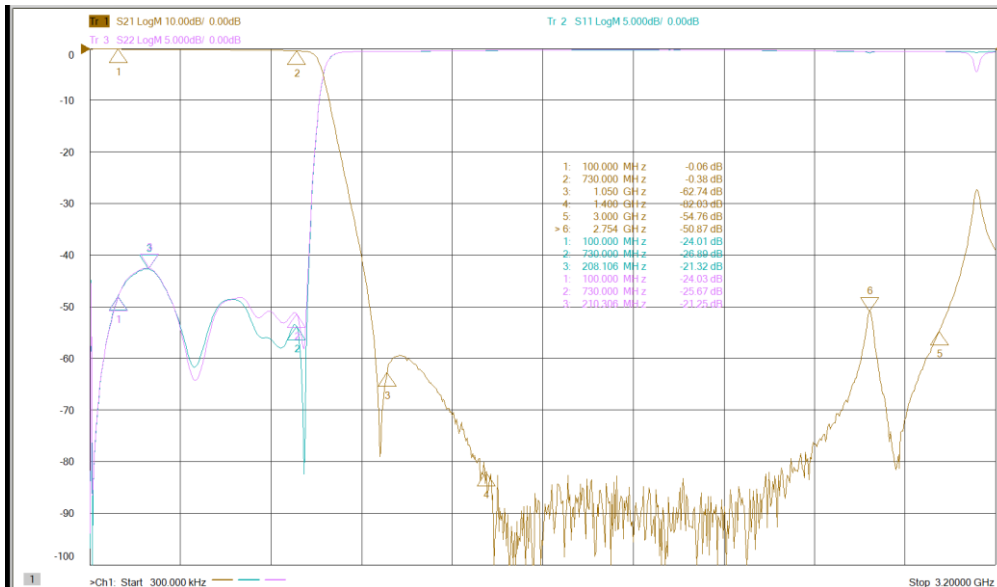
710MHz Low Pass Filter

Specification



Items	Specification
Pass band Frequency	100 ~ 710MHz
Insertion Loss	1.0dB Max
Return Loss	18dB Min
Rejection	40dB Min@1.05GHz 60dB Min@1.40GHz
Connector	SMA
Impedance	50 Ω
Operating Temperature	-30°C ~ +70°C
Dimension (WxDxH)	43.0 X 19.0 X 16.0 mm
Power Input	50W Max

Measurement Data



< Insertion Loss / Return Loss measurement >