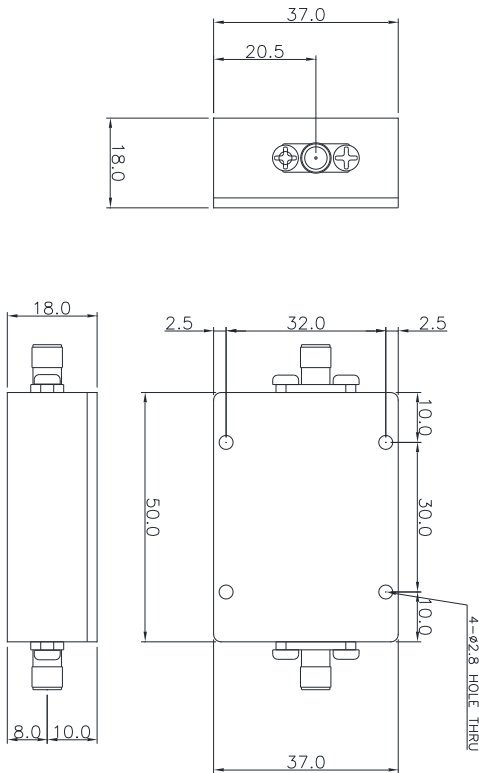


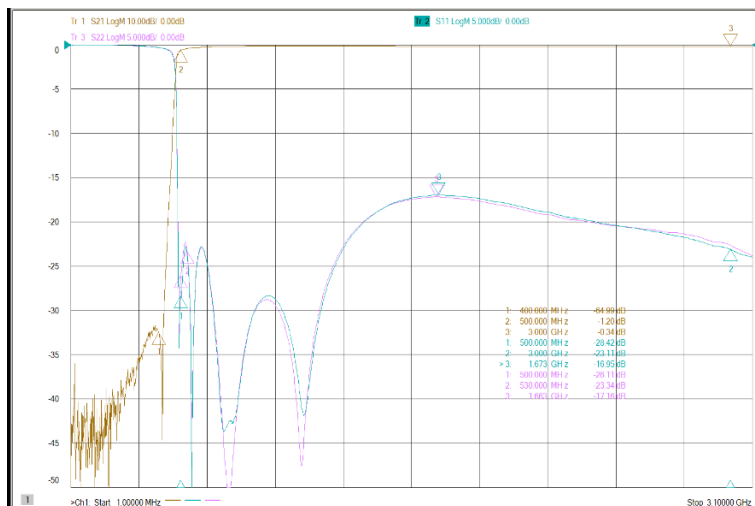
# 500 ~ 3000MHz High Pass Filter

## ■ Specification



Items	Specification
Pass band Frequency	500 ~ 3000MHz
Insertion Loss	1.5dB Max
Ripple	1.5dB Max
Return Loss	15dB Min
Rejection	60dB Min @ DC~400MHz
Connector	SMA
Impedance	50 Ω
Operating Temperature	-30°C ~ +80°C
Dimension (WxDxH)	50.0 X 37.0 X 18.0 mm
Power Handling	5W Max

## ■ Measurement Data



< Insertion Loss / Return Loss measurement >