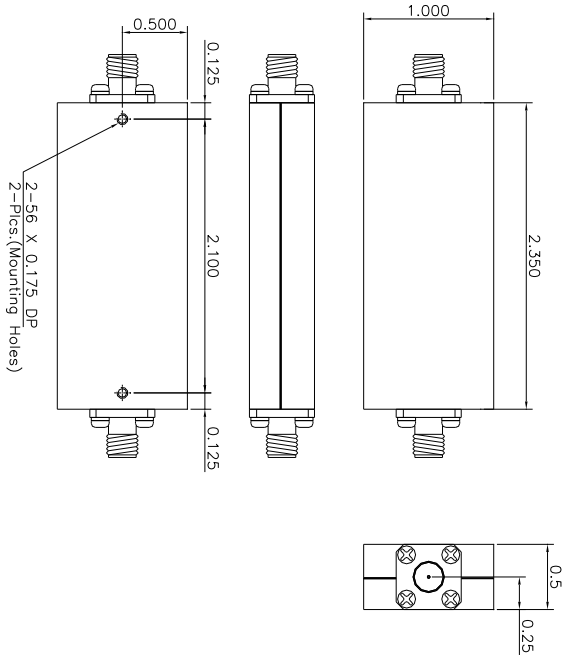


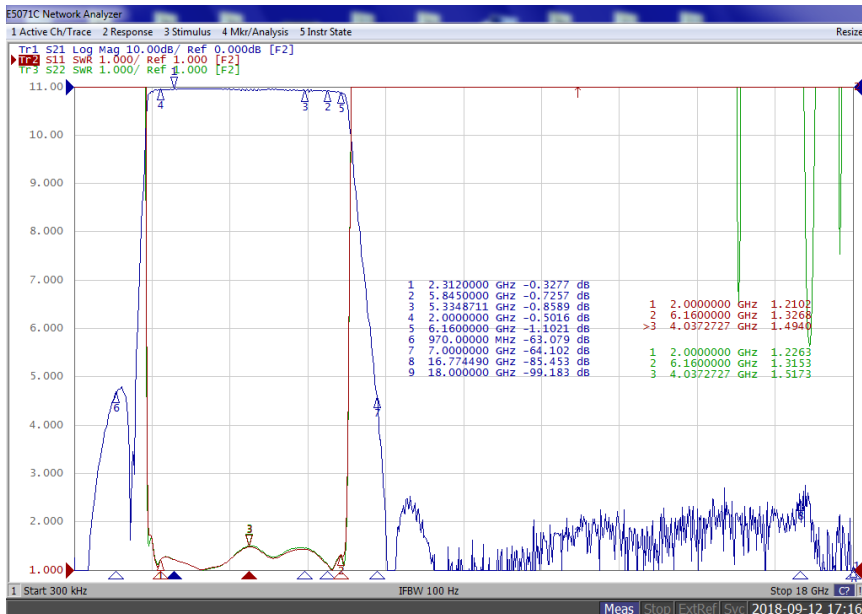
2000~6160MHz Band Pass Filter

■ Specification



Items	Specification
Pass band Frequency	2000~6160MHz
Insertion Loss	1.0dB Max @ 2312~5848MHz 1.5dB Max @ 2000~6160MHz
VSWR	2 : 1
Rejection	60dB Min @ DC~970MHz 60dB Min @ 7000~18000MHz
Connector	SMA
Impedance	50 Ω
Operating Temperature	-33°C ~ +65°C
Dimension (WxDxH)	2.35 X 1.0 X 0.5 in
Power Input	2W Max

■ Measurement Data



< Insertion Loss / Return Loss measurement >