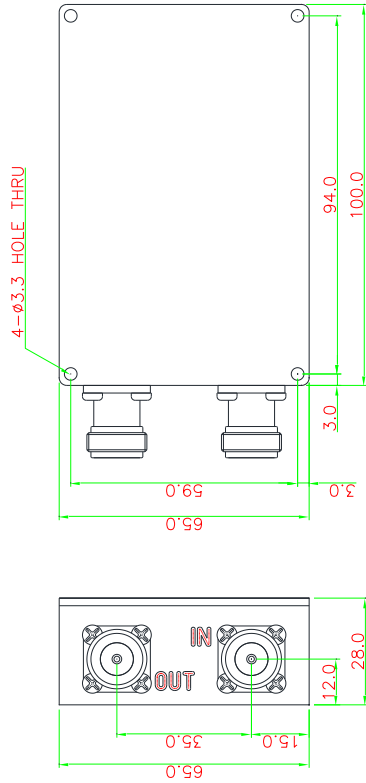


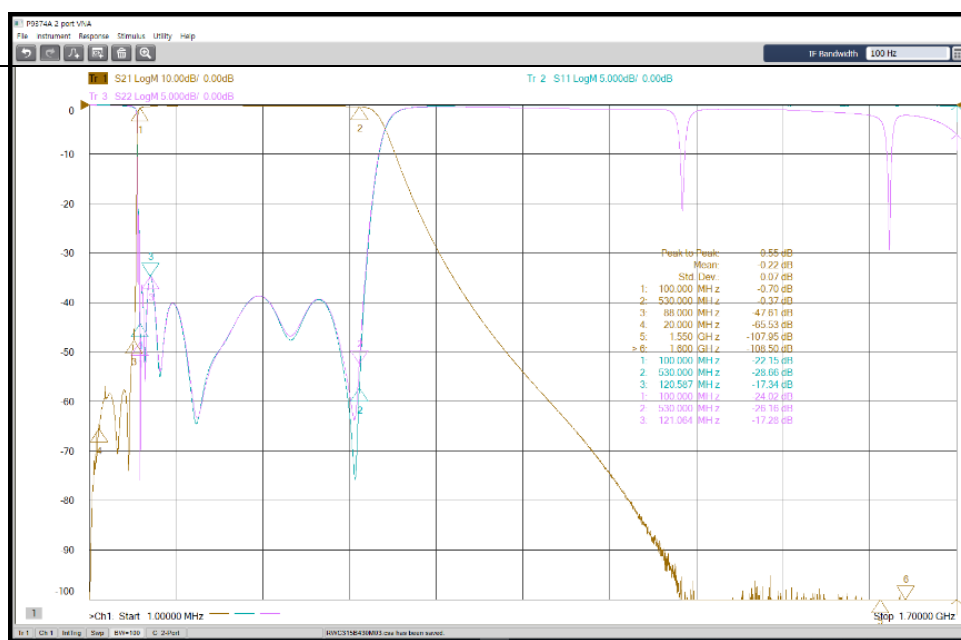
100 ~ 530MHz Band Pass Filter

■ Specification



Items	Specification
Pass band Frequency	100 ~ 530MHz
Insertion Loss	1.0dB Max
Ripple	1.0dB Max
Return Loss	15dB Min
Rejection	40dB Min @ 20~88MHz 50dB Min @ 1550~1600MHz
Connector	N
Impedance	50 Ω
Operating Temperature	-30°C ~ +80°C
Dimension (WxDxH)	100.0 X 65.0 X 28.0 mm
Power Handling	100W Max

■ Measurement Data



< Insertion Loss / Return Loss measurement >